



1 Approval nomenclature

- Polytron 5100 EC (Type ETR 02**, ETR 03**)
- Polytron 5200 CAT / Polytron 5310 IR (Type XTR 02**, XTR 03**)
- Polytron 57x0 IR (Type ITR 02**, ITR 03**)
- Polytron 8100 EC (Type ETR 04**, ETR 05**)
- Polytron 8200 CAT / Polytron 8310 IR (Type XTR 04**, XTR 05**)
- Polytron 87x0 IR (Type ITR 04**, ITR 05**)
- Polytron 8900 UGLD (Type ETR 0520)

FCC responsible party:

Draeger Inc.
 7256 S. Sam Houston W. Parkway
 Suite 100
 Houston, TX 77085 USA
 Phone: +1 346-802-6111
 e-mail: DIHouston.Approvals@draeger.com

2 Europe

Marking

The marking is reproduced on a separate piece of paper shipped with the instrument. Serial Number key: The third letter of the serial number specifies the manufacturing year: M = 2019, N = 2020, P = 2021, R = 2022, S = 2023, T = 2024, U = 2025, W = 2026, X = 2027, Y = 2028, Z = 2029, etc. (Letters G, I, O, Q are omitted)

Example: Serial Number ARMB-0001: the third letter is M, which means that the unit was manufactured in 2019.

3 USA and Canada

Electromagnetic compatibility: Class-B device, residential use compliant with ICES-003 class B.

CAN ICES-3 (B)/NMB-3 (B)

NOTICE

Changes or modifications not expressly approved by the party responsible for compliance could void the user's authority to operate the equipment.

This device complies with part 15 of the FCC Rules.

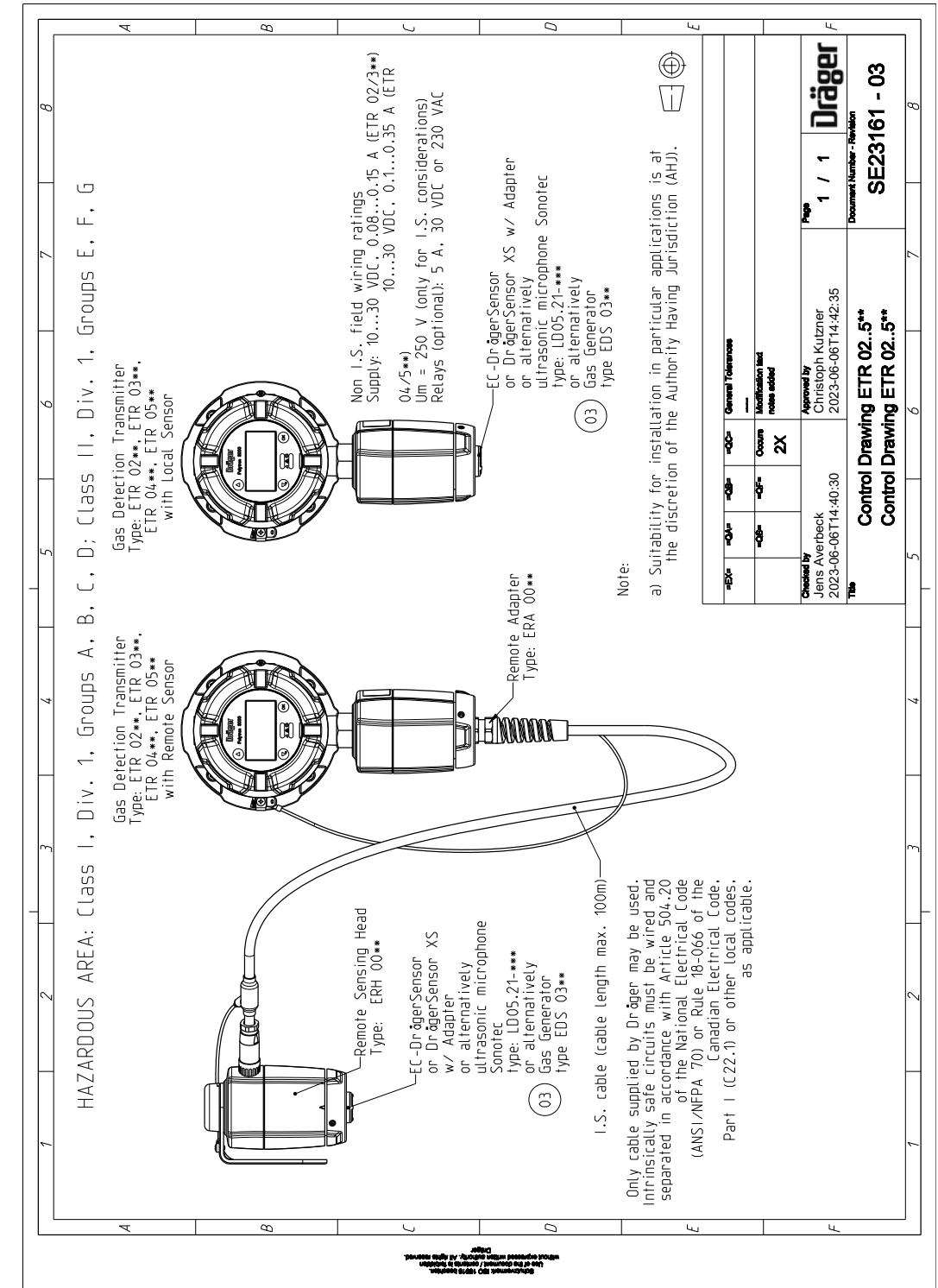
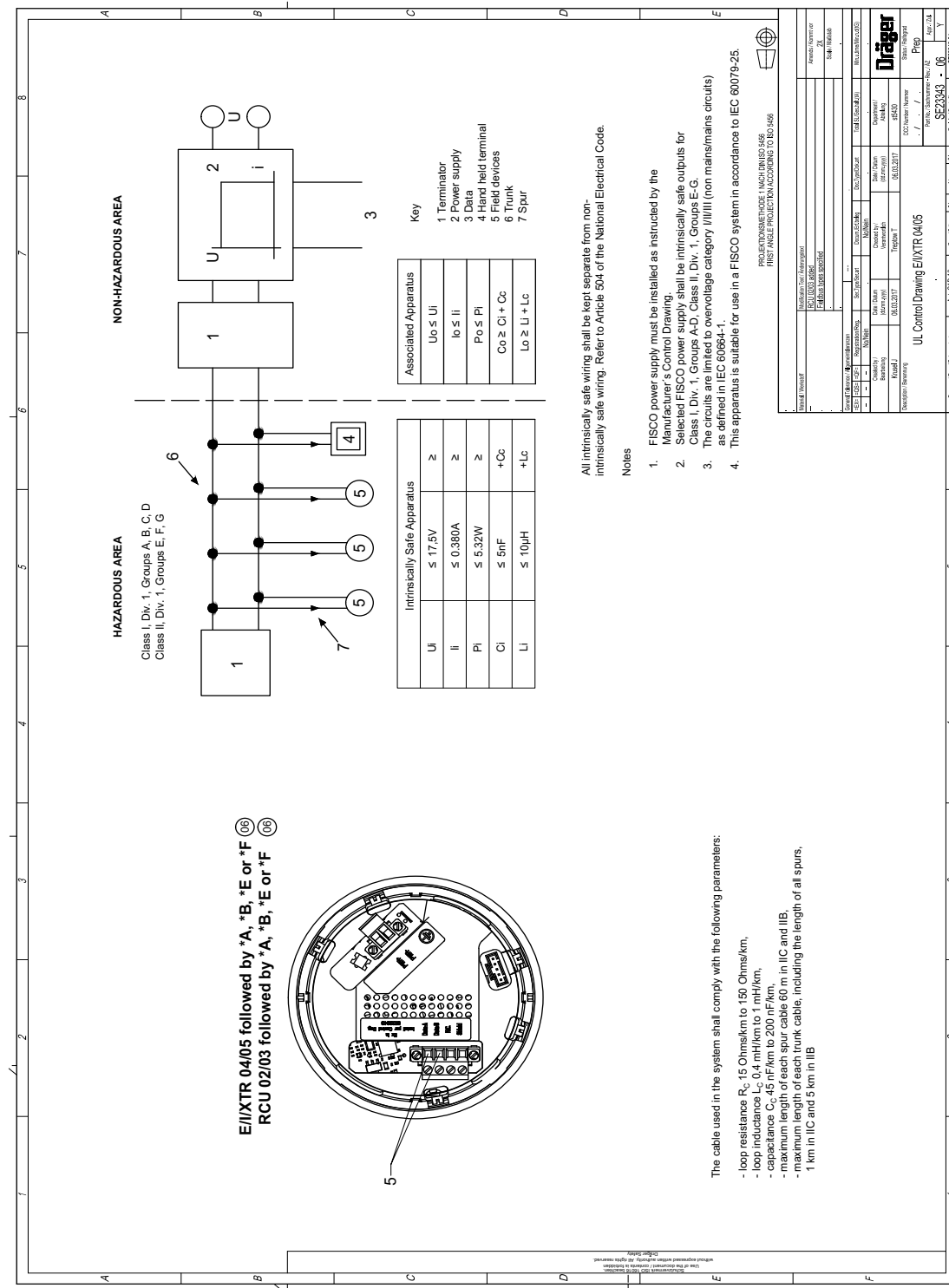
Operation is subject to the following two conditions:

- This device may not cause harmful interference, and
- This device must accept any interference received, including interference that may cause undesired operation.

Class B digital device pursuant to part 15 of the FCC Rules

This equipment has been tested and found to comply with the limits for a Class B digital device, pursuant to part 15 of the FCC Rules. These limits are designed to provide reasonable protection against harmful interference in a residential installation. This equipment generates, uses and can radiate radio frequency energy and, if not installed and used in accordance with the instructions, may cause harmful interference to radio communications. However, there is no guarantee that interference will not occur in a particular installation. If this equipment does cause harmful interference to radio or television reception, which can be determined by turning the equipment off and on, the user is encouraged to try to correct the interference by one or more of the following measures:

- Reorient or relocate the receiving antenna.
- Increase the separation between the equipment and receiver.
- Connect the equipment into an outlet on a circuit different from that to which the receiver is connected.
- Consult the dealer or an experienced radio/TV technician for help.



Wir / we Dräger Safety AG & Co. KGaA, Revalstraße 1, 23560 Lübeck, Germany

erklären in alleiniger Verantwortung, dass das Produkt declare under our sole responsibility that the product

Gasmess-Transmitter Typ E/I/XTR 04/5** (Polytron 8**0) Gas Detection Instrument type E/I/XTR 04/5** (Polytron 8**0)

mit der EG-Baumusterprüfbescheinigung / Expertise is in conformity with the EC-Type Examination Certificate / Expertise

ausgestellt von der benannten Stelle mit der Kenn-Nr. issued by the notified body with identification No. PTB Bundesallee 100 D-38116 Braunschweig 0102

und mit den folgenden Richtlinien unter Anwendung der aufgeführten Normen übereinstimmt and is in compliance with the following directives by application of the listed standards

Table with 2 columns: Bestimmungen der Richtlinie provisions of directive, Nummer sowie Ausgabedatum der Norm Number and date of issue of standard. Rows include ATEX-Richtlinie, Schiffsausrüstungs-Richtlinie, EMV-Richtlinie, Niederspannungs-Richtlinie, RoHS-Richtlinie.

1) gilt nicht für Profibus, Foundation Fieldbus, Modbus / not applicable to Profibus, Foundation Fieldbus, Modbus. 2) nur für Profibus, Foundation Fieldbus, Modbus / only applicable to Foundation Fieldbus, Modbus.

Überwachung der Qualitätssicherung Produktion durch Surveillance of Quality Assurance Production by DEKRA Testing and Certification GmbH

Zertifikat-Nr.: BVS 17 ATEX ZQS/E100 MED D00000TF

Lübeck, 2019-08-22

Ort und Datum (jjjj-mm-tt) Place and date (yyyy-mm-dd)

Signature of Dr. Marcus Rombe, Head of Electronic Engineering, Head of Product Qualification, Safety Products Research & Development.

We Dräger Safety AG & Co. KGaA, Revalstraße 1, 23560 Lübeck, Germany

declare under our sole responsibility that the product

Gas Detection Instrument type E/I/XTR 02/3** (Polytron 5**0), Junction Box EAC 01**

is in conformity with the UK-Type Examination Certificate / Expertise UL23UKEX2862X TÜV22UKEX7076X

issued by the Approved Body with identification No. UL International UK Ltd, 220 Cygnet Court, Center Park Warrington, WA11 9PP United Kingdom 0843

and is in compliance with the following UK regulations by application of the listed standards

Table with 2 columns: Statutory Instrument, Number and date of issue of designated standard. Rows include SI 2016/1107, SI 2016/1091, SI 2016/1013, SI 2012/3032.

* only applicable for I/XTR 02/3**

Surveillance of Quality Assurance Production by (Schedule 3A Part 2) DEKRA Certification UK Ltd, Stokenchurch House, Oxford Road, Stokenchurch, HP14 3SK United Kingdom 8505

Lübeck, 2023-11-02

Place and date (yyyy-mm-dd)

Signature of Ingo Pfoch, Head of R&D Safety.

Importer (UK): Draeger Safety UK Ltd, Ulmwater Close, Blyth Riverside Business Park, Blyth, Northumberland NE24 4RG, UK

Wir / we Dräger Safety AG & Co. KGaA, Revalstraße 1, 23560 Lübeck, Germany

erklären in alleiniger Verantwortung, dass das Produkt declare under our sole responsibility that the product

Gasmess-Transmitter Typ E/I/XTR 02/3** (Polytron 5**0), Anschlussdose EAC 01** Gas Detection Instrument type E/I/XTR 02/3** (Polytron 5**0), Junction Box EAC 01**

mit der EG-Baumusterprüfbescheinigung / Expertise is in conformity with the EC-Type Examination Certificate / Expertise

ausgestellt von der benannten Stelle mit der Kenn-Nr. issued by the notified body with identification No. PTB Bundesallee 100 D-38116 Braunschweig 0102

und mit den folgenden Richtlinien unter Anwendung der aufgeführten Normen übereinstimmt and is in compliance with the following directives by application of the listed standards

Table with 2 columns: Bestimmungen der Richtlinie provisions of directive, Nummer sowie Ausgabedatum der Norm Number and date of issue of standard. Rows include ATEX-Richtlinie, EMV-Richtlinie, Niederspannungs-Richtlinie, RoHS-Richtlinie.

Überwachung der Qualitätssicherung Produktion durch Surveillance of Quality Assurance Production by DEKRA Testing and Certification GmbH

Lübeck, 2023-05-12

Ort und Datum (jjjj-mm-tt) Place and date (yyyy-mm-dd)

Signature of Ingo Pfoch, Head of R&D Safety.

Importer (UK): Draeger Safety UK Ltd, Ulmwater Close, Blyth Riverside Business Park, Blyth, Northumberland NE24 4RG, UK

Wir / we Dräger Safety AG & Co. KGaA, Revalstraße 1, 23560 Lübeck, Germany

erklären in alleiniger Verantwortung, dass das Produkt declare under our sole responsibility that the product

Messkopf Typ Remote Sensor DQ NPT Sensing Head type Remote Sensor DQ NPT

gemäß den Bestimmungen der Richtlinie 2014/34/EU (Geräte und Schutzsysteme zur bestimmungsgemäßen Verwendung in explosionsgefährdeten Bereichen) ein kombiniertes Gerät ist, das sich aus drei nachfolgend aufgeführten Produkten zusammensetzt, die jedes für sich einer Baumusterprüfung unterzogen und von der benannten Stelle zertifiziert wurden, und dass sich durch deren Zusammenbau keine zusätzlichen Gefahren ergeben.

Table with 4 columns: Produkt, Hersteller, EU-Baumusterprüfbescheinigung, Gerätegruppe, Kategorie und Zündschutzart. Rows include Gasmessgerät, Gas Detection Transmitter, Gasensor, DrägerSensor PR NPT DQ, DrägerSensor PR NPT DQ.

Die Kombination erfüllt die Zündschutzart: II 2G Ex db IIC T6...T4 Gb und II 2D Ex tb T130°C Db

In ihren Konformitätserklärungen bestätigen die Hersteller, dass die oben aufgeführten Produkte den Anforderungen der 2014/34/EU entsprechen und unter einem Qualitätssicherungssystem hergestellt, endabgenommen und geprüft wurden, das von einer benannten Stelle zugelassen wurde.

In their Declarations of Conformity the manufacturers confirm that the above mentioned products are in conformity with the directive 2014/34/EU and have been manufactured, finally inspected and tested under a quality system which has been approved by a notified body.

Lübeck, 2024-01-29

Ort und Datum (jjjj-mm-tt) Place and date (yyyy-mm-dd)

Signature of Ingo Pfoch, Head of R&D Safety.

We Dräger Safety AG & Co. KGaA, Revalstraße 1, 23560 Lübeck, Germany

declare under our sole responsibility that the product

Junction Box type EAC 00** (Ex e PIR 7000)

is in conformity with the UK-Type Examination Certificate / Expertise UL21UKEX2008X

issued by the Approved Body with identification No. UL International UK Ltd, 220 Cygnet Court, Center Park Warrington, WA11 9PP United Kingdom 0843

and is in compliance with the following UK regulations by application of the listed standards

Table with 2 columns: Statutory Instrument, Number and date of issue of designated standard. Rows include SI 2016/1107, SI 2012/3032.

Surveillance of Quality Assurance Production by (Schedule 3A Part 2) DEKRA Certification UK Ltd, Stokenchurch House, Oxford Road, Stokenchurch, HP14 3SK United Kingdom 8505

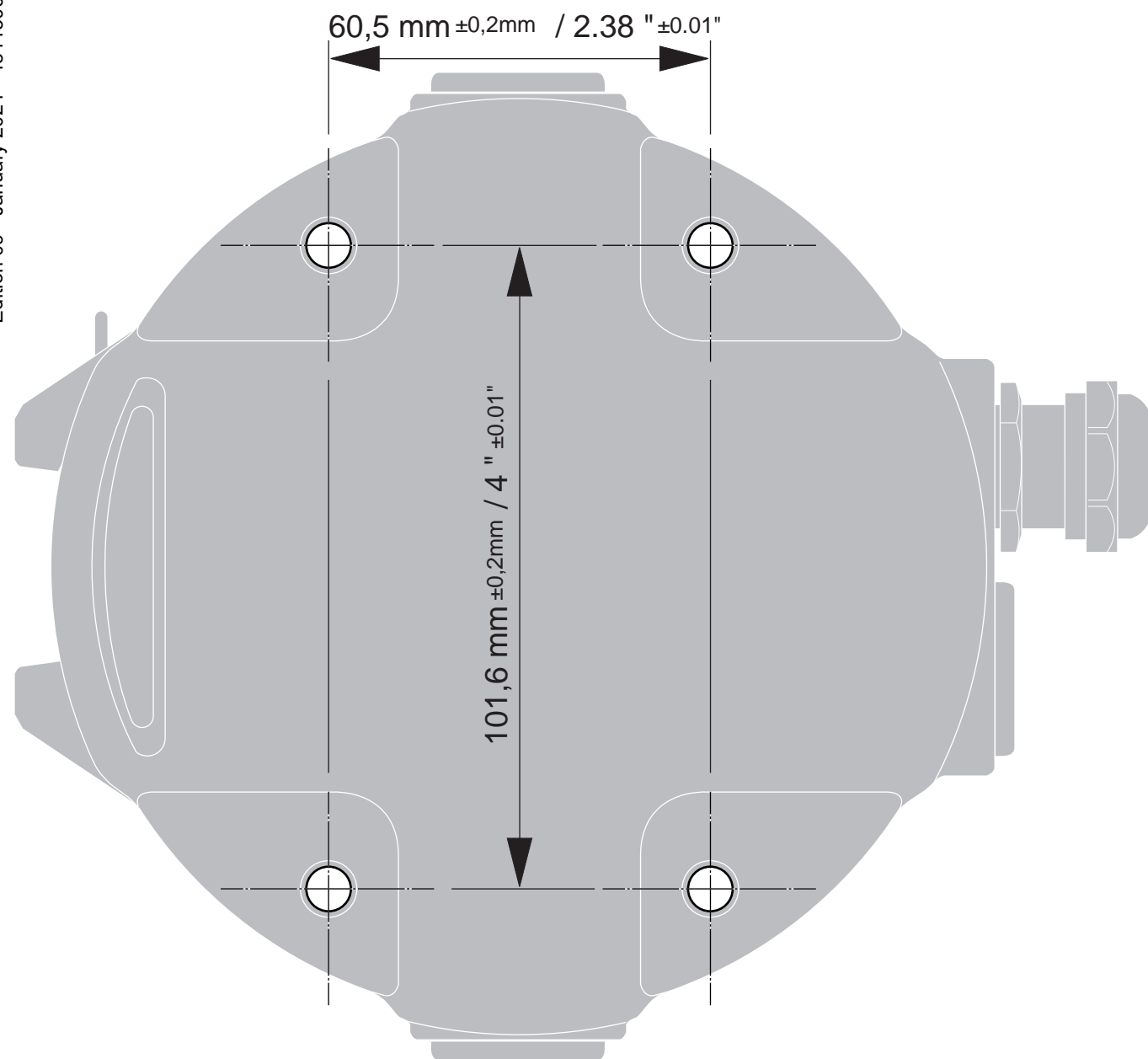
Lübeck, 2023-12-20

Place and date (yyyy-mm-dd)

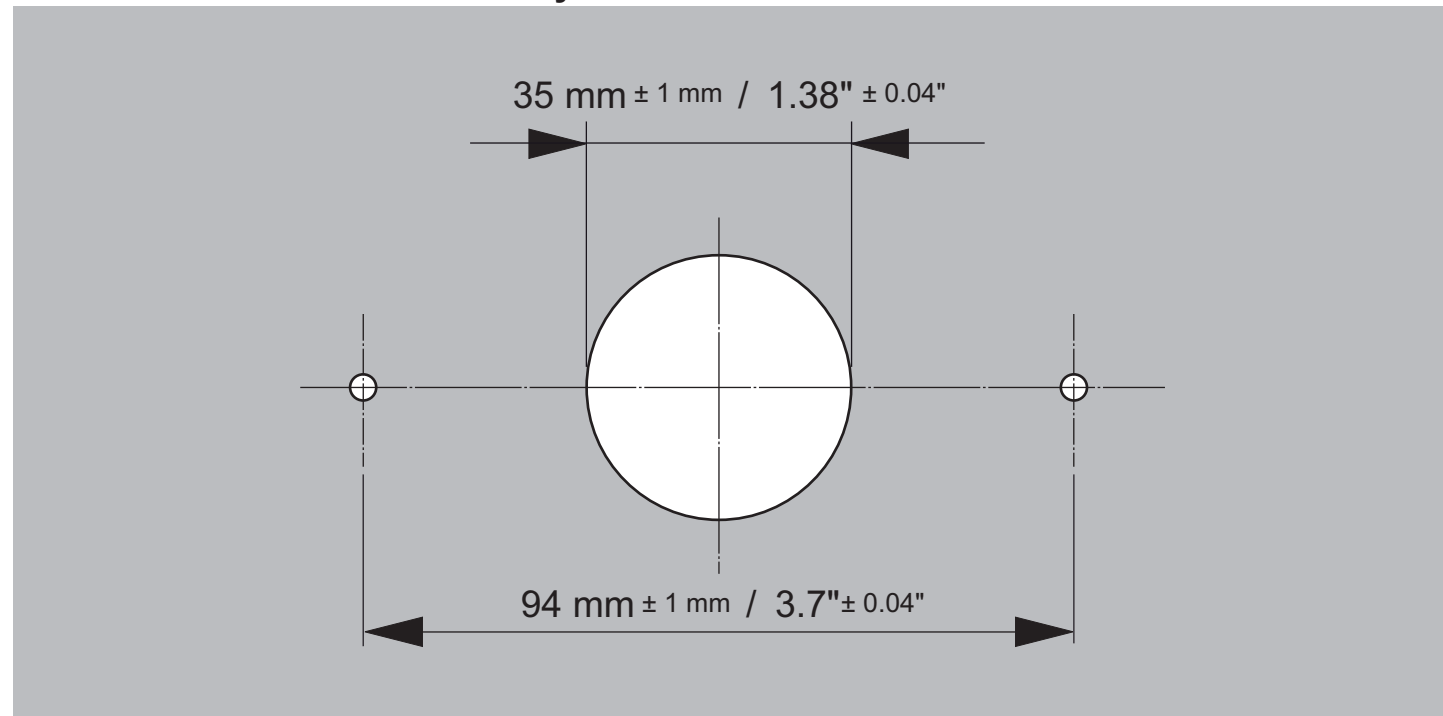
Signature of Ingo Pfoch, Head of R&D Safety.

Importer (UK): Draeger Safety UK Ltd, Ulmwater Close, Blyth Riverside Business Park, Blyth, Northumberland NE24 4RG, UK

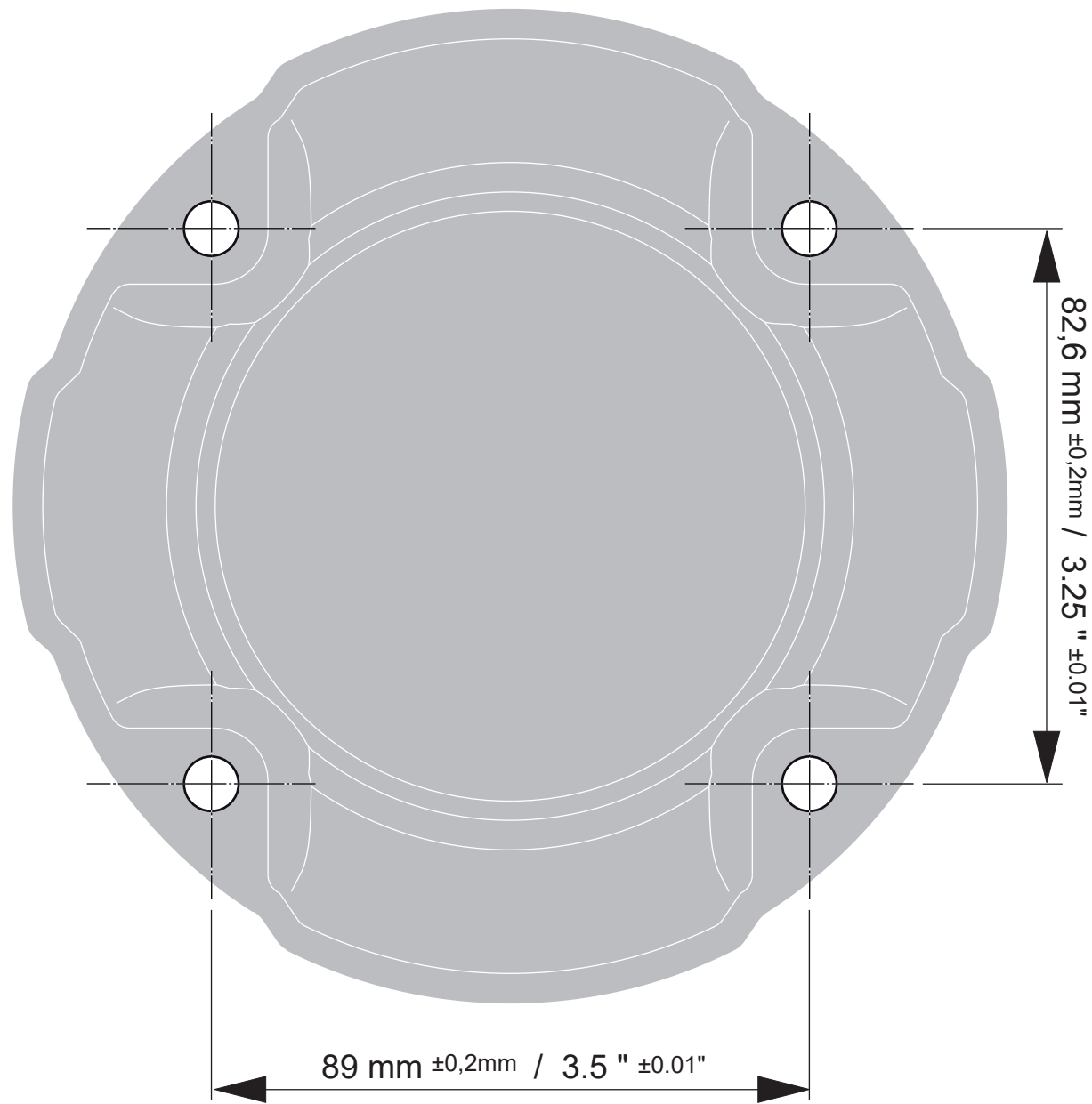
90 33 242 Docking Station Polytron



90 33 235 - Duct Mount Kit Polytron 5000/8000



Polytron 5000/8000



90 33 241 - Mounting Spacer Polytron 5000/8000

